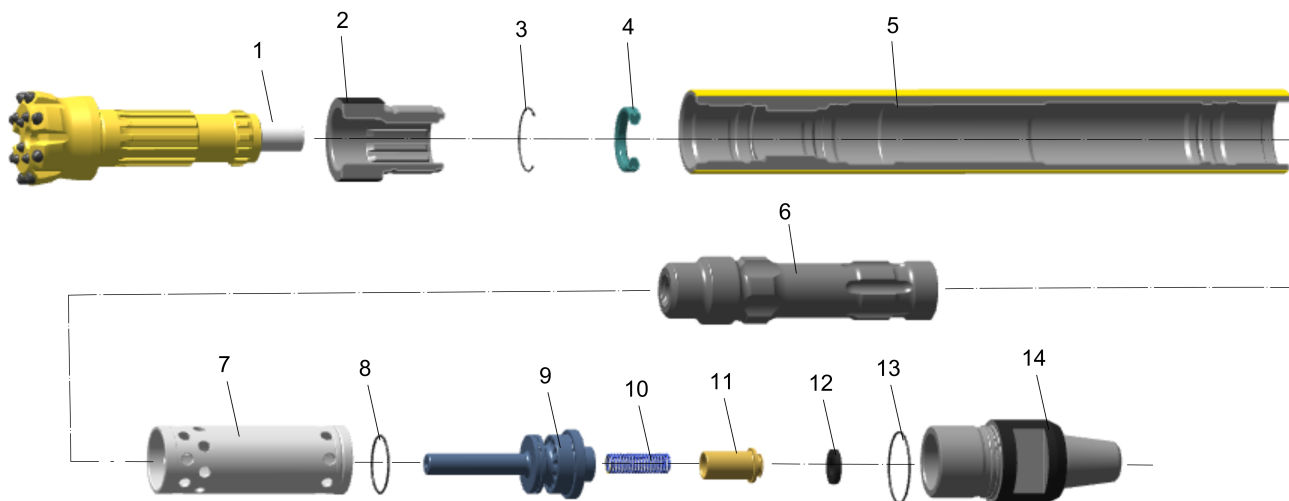


## Secoroc COP W4 2.0 (Down-the-hole-hammer)



Item	Part No.	Name	Qty	Remarks
1		Exhaust tube	1	
2	89012214	Chuck	1	9704-00-WW-000-64-000-001
3		O-ring	1	
4	89012206	Bit Retaining Ring Assembly	1	9704-00-WW-000-64-000-A02
5	5697000547	Casing	1	9704-WW-00-000-00-000-004
6	5697000546	Piston	1	9704-WW-00-000-64-000-005
7	5697000548	Inner cylinder	1	9704-WW-00-000-00-000-048
8		O-ring	1	
9	5697000479	Air Distributor Assembly High Flow	1	9704-WW-FE-000-00-000-A42
9	5697000478	Air Distributor Assembly Low Flow	1	9704-WW-LE-000-00-000-A42
10	89012216	Spring check valve	1	9704-WW-00-000-00-000-016
11	89001020	Check valve	1	9704-CO-00-000-00-000-017
12	89001021	Seal check valve	1	9704-CO-00-000-00-000-018
13		O-ring	1	
14	89012211	Backhead API 2-3/8" Reg Pin Assembly	1	9704-WW-00-10P-00-000-A20
14	89012477	Backhead API 2-7/8" Reg Pin Assembly	1	9704-WW-00-12P-00-000-A20
KIT		Hammer assembly	1	
-	5697000549	COP W4 2.0 HIGH FLOW HAMMER 2-3/8 REG, PIN	1	9704-WW-FE-10P-64-000
-	5697001127	COP W4 2.0 HIGH FLOW HAMMER 2-7/8 REG, PIN	1	9704-WW-FE-12P-64-000
-	5697000550	COP W4 2.0 LOW FLOW HAMMER 2-3/8 REG, PIN	1	9704-WW-LE-10P-64-000
-	89012219	O-ring kit (incl. items 3, 8, 13)	1	9704-00-WW-000-00-000-K47
KIT		E-kit	1	
-	5697000911	COP W4 2.0 E-KIT API 2-3/8" REG, Pin	1	9704-WW-00-10P-64-000-K40
-	5697001133	COP W4 2.0 E-KIT API 2-7/8" REG, Pin	1	9704-WW-00-12P-64-000-K40

Comments for Page: Secoroc COP W4 2.0 (Down-the-hole-hammer)

\*O-rings not sold separately. Included in different assemblies and kits.

Wear limits

Casing, lower end Min.OD 91 mm

Casing, upper end Min. OD 93 mm

Piston/casing clearance Max. 0.2 mm

Piston/control tube Max. 0.25 mm

Piston/inner cylinder Max 0.3 mm

Exhaust tube Min. OD 32.1 mm

Exhaust tube protrusion 57  $\pm$  1 mm